



WWW.BARRYIND.COM

# RS0603CB-1000JN-96

## BeO

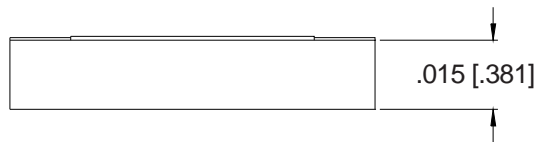
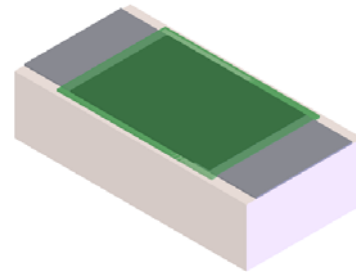
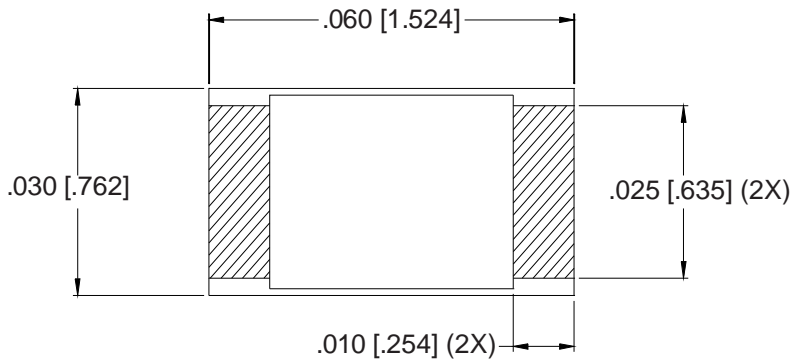
## FLIP CHIP RESISTOR

### Features:

- ◆ BeO Material
- ◆ Flip Chip - No Backpad
- ◆ CB = Tin Lead over Nickel over Silver

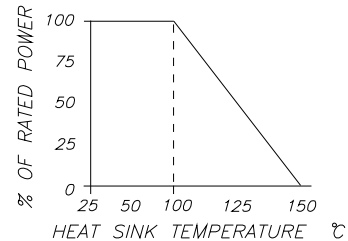
### General Description:

The RS0603CB-1000JN-96 is a 100 ohm, BeO flip chip resistor. It offers a small package design which is ideal for miniature electronics.



Dimensions in inches [mm]  
Tolerance  $\pm .005$  [.127]  
unless otherwise stated

DERATING CURVE:



Parameter	Min.	Typ.	Max.	Units
Resistance Tolerance	95	100	105	Ohms
Input Power			.15	Watts
Mounting Surface Temperature			100 150 (0% Power)	°C

Barry Industries reserves the right to change part number and or process without notification.

Barry Industries, Inc., 60 Walton St., Attleboro, MA 02703 T: 508-226-3350 F: 508-226-3317 E-mail: ABSales@Vishay.com  
Barry Industries maintains an ISO 9001 Certified Quality Management System

Origination Date	Revision Date	Rev.
07/25/11	07/25/11	-